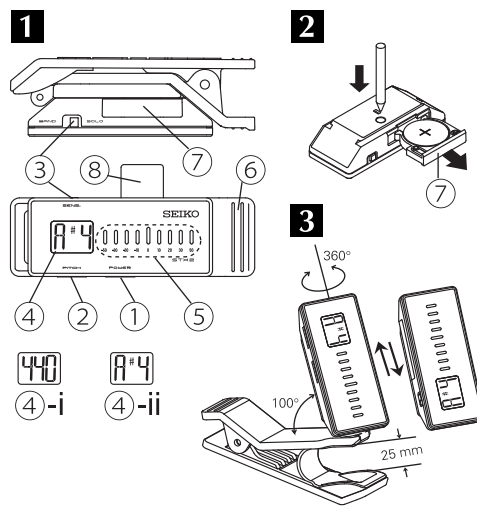


SEIKO CHROMATIC TUNER STX2



SEIKO CHROMATIC TUNER STX2 INSTRUCTION MANUAL

FOR SAFE OPERATION

CAUTION

- Do not disassemble, attempt to repair or tamper with the tuner as it may cause a short circuit.
- Do not operate the buttons with wet hands as it could result in a short circuit or electric shock.
- Do not expose the battery to fire. It may explode, generate an intense heat or catch fire.
- Install the battery, checking that the (+) and (-) terminals are properly aligned. Otherwise, a malfunction may result.
- Do not use or keep the tuner in the following places:
 - Places where the tuner is exposed to extremely high temperatures such as direct sunlight, near or on a heating unit.
 - Humid places such as bathroom, sink or wet floor.
 - Dusty places.
- Places where the tuner is subjected to strong vibrations.
- If the tuner is left unused for a long time, remove the battery. Otherwise, battery leakage may occur, causing a malfunction.
- Do not apply undue force to the tuner or drop or hit it against hard surfaces as it may result in a malfunction and injuries.
- Do not use thinner or alcohol to clean the tuner as it may result in damage.

The SEIKO Chromatic Tuner STX2 is a Vibration Sensor Tuner that tunes a musical instrument by sensing the vibration generated when a note is produced. When using Tuner for the first time after purchasing, gently pull out Insulating Sheet to allow power to flow from the battery.

The battery included with Tuner is a monitor battery, and its serviceable life may be shorter than specified.

NAMES OF PARTS

- | | |
|-------------------------------|--------------------------|
| ① Power Button | ⑤ Tuning Guide Lamp |
| ② Pitch Button | ⑥ Clip |
| ③ Sensitivity-Modulate Switch | ⑦ Battery Tray |
| ④ LCD Display | ⑧ Insulating Sheet |
| ④-i Pitch Display | ④-ii Note/Octave Display |

TUNING METHOD

- Attach Tuner to the musical instrument using Clip, and adjust the angle of Tuner to provide easy viewing.
 - Handle Tuner with care when attaching/detaching it or adjusting its angle. Applying undue force to it may cause damage.
 - For the movable range of Tuner, see the illustration ③.
 - The Tuner body can be removed from the clip to reverse the setting position for easy viewing.
- Press Power Button to turn on the power, and press Pitch Button to set the desired reference pitch.
 - The digits move quickly if the button is kept pressed.
- Play the instrument to give a single note.
 - When having sensed the note (its vibration), Tuner indicates the octave and note closest to it on LCD Display. It also indicates discrepancy between the input note and the note shown on Display using Tuning Guide Lamp.
- Tune the instrument until Tuning Guide Lamp at the center lights up in green.
 - When discrepancy between the input note and the note indicated on Display is within the range of ± 3 cents, Tuning Guide Lamp at the center will light up in green.

OTHER FUNCTIONS

- Sensitivity-modulate function: It eliminates background interference effectively.
 - Solo mode ("SOLO") is suitable for tuning in a quiet environment.
 - Band mode ("BAND") is suitable for tuning in a noisy environment.
- Backlight: It lights up automatically with each input of a note or press of Pitch Button, and reduces its brightness gradually if Tuner is left untouched.
- Auto Power-Off Function: If no note input or Pitch Button operation is made for more than 5 minutes, Tuning Guide Lamp at the center flashes in green. If Tuner is left untouched further for 15 more minutes, it turns off automatically.
- Memory Backup Function: The reference pitch you have set is stored in memory, and will not be erased even if the power is turned off. If the battery is replaced with a new one, however, the reference pitch will return to the default setting of 440 Hz.

BATTERY CHANGE

When battery nears its end, LCD Display becomes dim, and the brightness of Tuning Guide Lamps is reduced. In that case, replace the battery with a new one immediately.

- Turn off Tuner.
- Remove the Tuner body from Clip.
- While keeping the battery release knob on the rear of the Tuner body pressed with a tip of a ballpoint pen or the like, pull out Battery Tray.
- Remove the old battery, insert a new one with (+) side up, and reset Battery Tray by pushing it into the Tuner body.
- Press Power Button several times to confirm that Tuner operates normally.
 - Be sure to use the specified battery (CR2032) only.
 - When disposing of an old battery, observe the regulations of the authorities concerned.
 - When you decide not to use Tuner for a long time, remove the battery to prevent battery leakage.

CAUTIONS ON USING TUNER

- While Tuner is turned on, it may pick up noise from the surrounding environment or the hum noise generated by electric appliances, and show indications as if a note is played. This is not a malfunction.
- If the tuning is not successful, re-attach Tuner to such a position of the instrument that allows it to sense the vibrations more clearly.
- Please note that musical instruments that generate harmonic overtones or short sustaining tones may not be tuned accurately even though the note input to Tuner is within the tunable range.
- While Tuner is not in use, be sure to detach it from the musical instrument. If it is left clipped on the instrument for a long time, a mark may be left or discoloration may result.
- Moving Tuner beyond its movable range, moving it with excessive frequency, and applying undue force to it may cause damage to it.

SPECIFICATIONS

- | | |
|--------------------------|--|
| 1. MODE | : Auto tuning |
| 2. TUNING RANGE | : A0-C8 |
| 3. TUNING ACCURACY | : ± 1 cent |
| 4. PITCH SHIFT | : A4 = 415 Hz, 435 Hz ~ 446 Hz |
| 5. ADDITIONAL FUNCTIONS | : Sensitivity-modulate, backlight, auto power-off, memory backup |
| 6. INPUT METHOD | : Vibration sensor |
| 7. POWER SUPPLY | : Lithium battery CR2032 (3 V) |
| 8. OVERALL DIMENSIONS | : 83.7 (W) x 26.1 (H) x 26.0 (D) mm (including clip) |
| 9. OPENING RANGE OF CLIP | : 25 mm |
| 10. WEIGHT | : 50 g (including batteries) |
| 11. ACCESSORIES | : Instruction manual and lithium battery CR2032, 1 piece (monitor battery) |

* The design and specifications are subject to change without prior notice for product improvement.